



Connect-it ceiling

Connect-it ceiling

Depending on the situation you choose the right ceiling plate and required pole length. The modular display interface can be selected based on the fitment of your display. With the standard Connect-it components it is also possible to create a diversity of multiple display solutions; back-to-back, side-by-side, etc. All of this including the well-known ease-of-installation features.

PUC 24 Series

When you need a ceiling solution (single display) for small- to medium-sized displays you can choose the PUC 24 Series.

PUC 25 Series

When you are in need of a ceiling solution for medium- to large-sized displays and you want to create a diversity of multiple displays: back-to-back or side-by-side, etc. then choose the PUC 25 Series.

PUC 29 Series

Do you want to built a video wall or you need a ceiling solution for large- to XL-sized displays then choose the PUC 29 Series.



PUC 24 Series

Small- to medium-sized displays

The PUC 24 Series is part of the modular Connect-it system with which you can create a ceiling solution for small- to medium-sized displays.

Thanks to its round shape and the 360° turn function, a suspended ceiling can also be completed quickly and professionally. The tilt function in the ceiling plate ensures that the support can also be mounted to inclined ceilings. All existing Connect-it accessories can be used with the PUC 24 Series. The innovative nut channel now makes it easy to add accessories after installation. The PUC 24 Series is also equipped with a CIS® cable management system that allows you to quickly and easily take cables out of sight.

The PUC 24 poles are available in two different colours and four lengths. The lengths are easy to shorten.

Display mounting

For small VESA sizes, Vogel's has developed two special display interfaces with a step-by-step tilt function. For large VESA sizes, it is possible to use the conventional display interface bars and display interface strips from the modular Connect-it system (see page 10-17).

Key features

- Quick and easy to install
- Strong and flexible options for use
- Add accessories after installation
- Stylish and innovative design
- TÜV-5 certified

PUC 24 Series contains:

- Ceiling plate and truss adapter
- Poles (four lengths)
- Small display interfaces
- Display interface bars and strips
- Accessories
- PUC 24 ceiling kits

CEILING PLATES

PUC 1045

Ceiling plate turn and tilt



PUC 1051


Truss adapter



Specifications

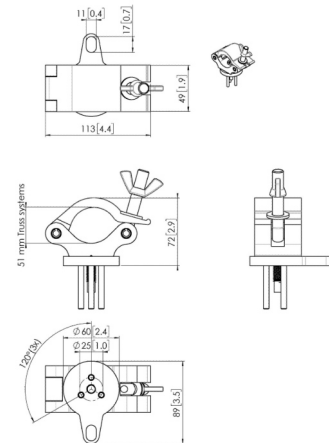
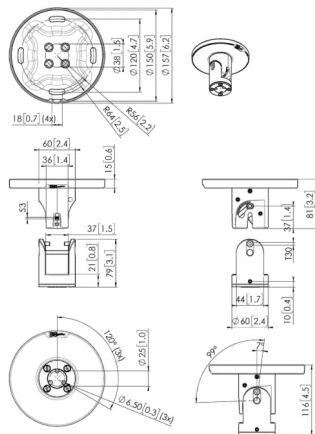
Max. weight load (kg)	40	40
Turn	Up to 360°	
Tilt	Tilt up to 90°	
Ceiling types	Flat / inclined ceiling	Truss system
Ceiling plate options	Inclined (multi directional)	Truss system

Guarantee

TÜV certified		
Guarantee	5 years	5 years

General

Colour	Black	Stainless Steel
Article number	7210450	7210514
EAN single box	8712285343940	8712285344404



POLES

PUC 2408

Pole



PUC 2415

Pole



PUC 2422

Pole



PUC 2430

Pole



Specifications

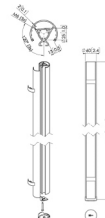
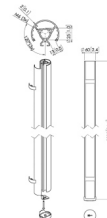
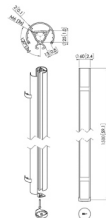
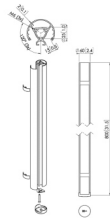
Max. weight load (kg)	40	40	40	40
Length (mm)	800	1500	2200	3000

Guarantee

TÜV certified				
Guarantee	5 years	5 years	5 years	5 years

General

Colour	Silver Black	Black Silver	Black Silver	Black Silver
Article number	7224084 (Silver) 7224080 (Black)	7224150 (Black) 7224154 (Silver)	7224220 (Black) 7224224 (Silver)	7224300 (Black) 7224304 (Silver)
EAN single box	8712285344442 (Silver) 8712285344428 (Black)	8712285344466 (Black) 8712285344480 (Silver)	8712285344503 (Black) 8712285344527 (Silver)	8712285344541 (Black) 8712285344565 (Silver)



INTERFACES

PFI 3015
Display interface

PFI 3045
Display interface



Specifications

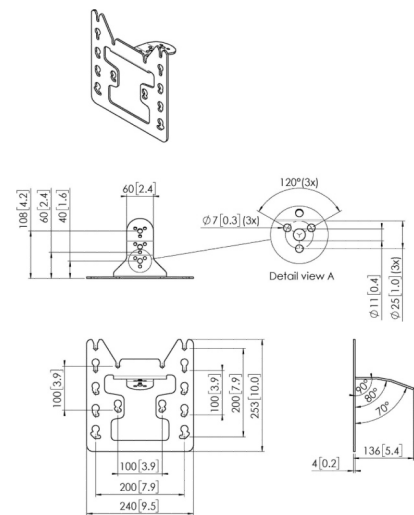
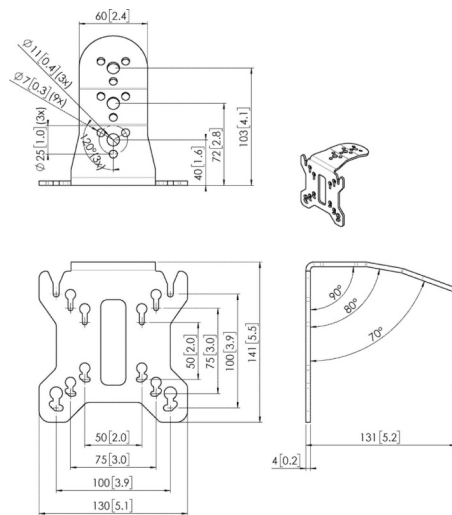
Max. weight load (kg)	30	30
Min. screen size (inch)	10	19
Max. screen size (inch)	32	43
Tilt	Tilt up to 20°	Tilt up to 20°
Hole pattern (VESA)	50 mm x 50 mm 75 mm x 75 mm 100 mm x 100 mm	100 mm x 100 mm 200 mm x 100 mm 200 mm x 200 mm

Guarantee

TÜV certified		
Guarantee	5 years	5 years

General

Colour	Black	Black
Article number	7230150	7230450
EAN single box	8712285343865	8712285343889



ACCESSORIES

PFA 9149

T-Slot nuts



PUA 9515

Girder / H-beam clamp
70-180 mm



PUA 9516

Girder / H-beam clamp
150-300 mm



PUA 9510

Stabilization kit for PUC 24



Specifications

Max. weight load (kg)

80

80

H-beam size

70-180 mm

150-300 mm

Guarantee

TÜV certified



Guarantee

5 years

5 years

5 years

5 years

Guarantee on Electrical Parts

General

Colour

Silver

Black

Black

Stainless Steel

Article number

7291490

7295154

7295164

7295104

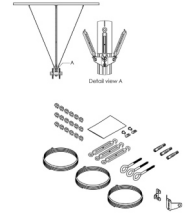
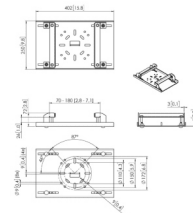
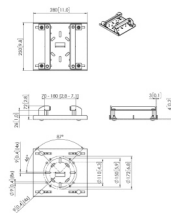
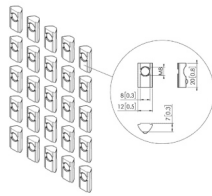
EAN single box

8712285345425

8712285345166

8712285345180

8712285335884



CEILING KITS

CT240811
Ceiling mount turn

CT241511
Ceiling mount turn

CT242211
Ceiling mount turn

CT243011
Ceiling mount turn



Specifications

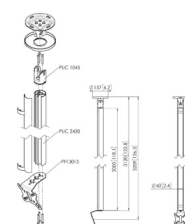
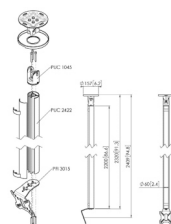
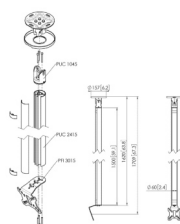
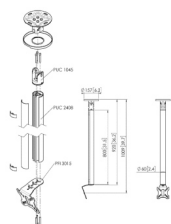
Max. weight load (kg)	30	30	30	30
Length (mm)	934	1779	2469	3269
Min. screen size (inch)	10	10	10	10
Max. screen size (inch)	32	32	32	32
Min. VESA hole pattern (mm)	50 x 50	50 x 50	50 x 50	50 x 50
Max. VESA hole pattern (mm)	100 x 100	100 x 100	100 x 100	100 x 100
Ceiling types	Flat / inclined ceiling	Flat / inclined ceiling	Flat / inclined ceiling	Flat / inclined ceiling
Turn	Up to 360°	Up to 20°	Up to 360°	Up to 360°

Guarantee

TÜV certified				
Guarantee	5 years	5 years	5 years	5 years

General

Colour	Black Silver	Black Silver	Black Silver	Black Silver
Article number	7955010 (Black) 7955014 (Silver)	7955030 (Black) 7955034 (Silver)	7955060 (Black) 7955064 (Silver)	7955080 (Black) 7955084 (Silver)
EAN single box	8712285346880 (Black) 8712285346866 (Silver)	8712285346965 (Black) 8712285346941 (Silver)	8712285347047 (Black) 8712285347023 (Silver)	8712285347122 (Black) 8712285347108 (Silver)



CEILING KITS

CT240822
Ceiling mount turn

CT241522
Ceiling mount turn

CT242222
Ceiling mount turn

CT243022
Ceiling mount turn



Specifications

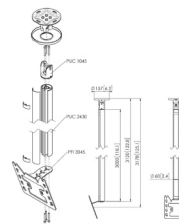
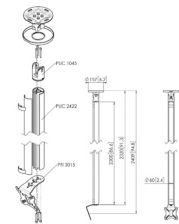
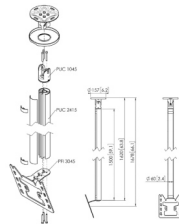
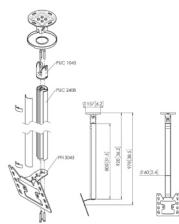
Max. weight load (kg)	30	30	30	30
Length (mm)	987	1803	2503	3203
Min. screen size (inch)	19	19	19	19
Max. screen size (inch)	43	43	43	43
Min. VESA hole pattern (mm)	100 x 100	100 x 100	100 x 100	100 x 100
Max. VESA hole pattern (mm)	200 x 200	200 x 200	200 x 200	200 x 200
Ceiling types	Flat / inclined ceiling	Flat / inclined ceiling	Flat / inclined ceiling	Flat / inclined ceiling
Turn	Up to 360°	Up to 360°	Up to 360°	Up to 360°

Guarantee

TÜV certified				
Guarantee	5 years	5 years	5 years	5 years

General

Colour	Black Silver	Silver Black	Black Silver	Black Silver
Article number	7955020 (Black) 7955024 (Silver)	7955044 (Silver) 7955040 (Black)	7955070 (Black) 7955074 (Silver)	7955090 (Black) 7955094 (Silver)
EAN single box	8712285346927 (Black) 8712285346903 (Silver)	8712285346989 (Silver) 8712285347009 (Black)	8712285347085 (Black) 8712285347061 (Silver)	8712285347160 (Black) 8712285347146 (Silver)



CEILING KITS

CT240844
Ceiling mount turn

CT241544
Ceiling mount turn

CT242244
Ceiling mount turn

CT243044
Ceiling mount turn



Specifications

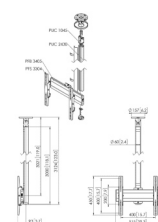
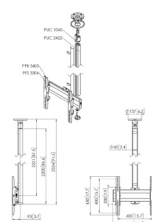
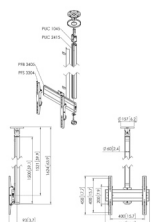
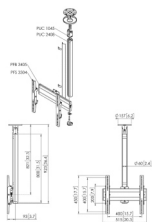
Max. weight load (kg)	40	40	40	40
Max. screen size (inch)	65	65	65	65
Length (mm)	1046	1746	2446	3246
Min. VESA hole pattern (mm)	100 x 100	100 x 100	100 x 100	100 x 100
Max. VESA hole pattern (mm)	400 x 400	400 x 400	400 x 400	400 x 400
Turn	Up to 360°	Up to 360°	Up to 360°	Up to 360°

Guarantee

TÜV certified				
Guarantee	5 years	5 years	5 years	5 years

General

Colour	Black Silver	Black Silver	Black Silver	Black Silver
Article number	7955100 (Black) 7955104 (Silver)	7955110 (Black) 7955114 (Silver)	7955120 (Black) 7955124 (Silver)	7955130 (Black) 7955134 (Silver)
EAN single box	8712285347207 (Black) 8712285347184 (Silver)	8712285347245 (Black) 8712285347221 (Silver)	8712285347283 (Black) 8712285347269 (Silver)	8712285347320 (Black) 8712285347306 (Silver)





PUC 25 Series

Medium- to large-sized displays

The PUC 25 Series is part of the modular Connect-it system with which you can create a ceiling solution for medium- to large-sized displays.

The poles of the PUC 25 Series are equipped with a multiple cable inlay system with which you can quickly and simply ensure that all cables are hidden. The pole is made of aluminium and therefore, it can simply be cut at the required length.

Multiple displays can easily be installed back-to-back, on top of each other or next to each other.

Combine this pole with one of the Connect-it ceiling plates, Connect-it display interface bar and Connect-it interface strips (see page 10-17) for a complete ceiling solution.

Key features

- CIS® cable management
- Aluminium, easy to cut to length
- Multiple display mounting
- Safety end cap included

PUC 25 Series contains:

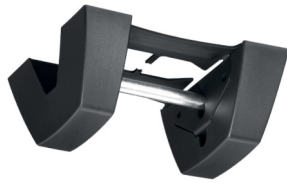
- Ceiling plates
- Poles (three lengths)
- Display interface bars and strips
- Accessories
- PUC 25 ceiling kits

CEILING
PLATES

PUC 1060
Ceiling plate fixed

PUC 1065
Ceiling plate turn

PUC 1070
Ceiling plate tilt



Specifications

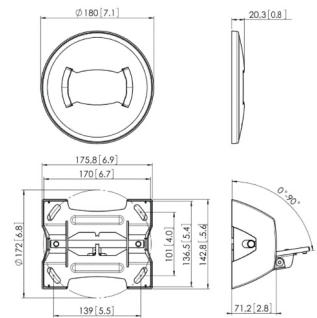
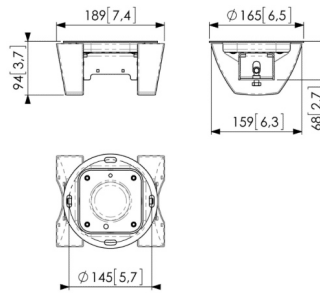
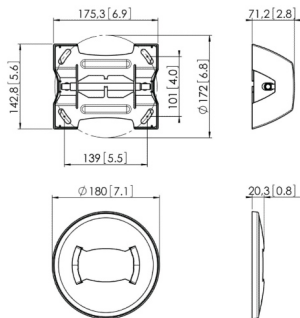
Max. weight load (kg)	80	80	80
Turn		Up to 360°	
Tilt			Tilt up to 90°
Ceiling types	Flat ceiling	Flat ceiling	Flat / inclined ceiling
Ceiling plate options	Flat (fixed)	Flat (turn function)	Flat / inclined 0-90°

Guarantee

TÜV certified			
Guarantee	5 years	5 years	5 years

General

Colour	Black	Black	Black
Article number	7210604	7210650	7210704
EAN single box	8712285318665	8712285324123	8712285318689



CEILING PLATES

PUC 1080
Ceiling plate turn and tilt



PUC 1090
Truss adapter



Specifications

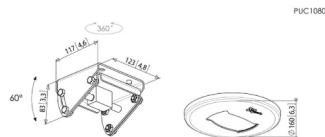
Max. weight load (kg)	80	80
Turn	Up to 360°	
Tilt	Tilt up to 60°	
Ceiling types	Flat / inclined ceiling	Truss system
Ceiling plate options	Inclined (multi directional)	Truss system

Guarantee

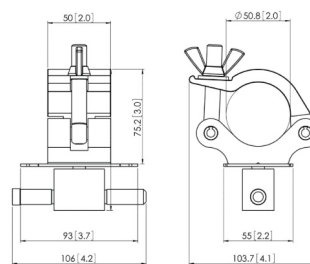
TÜV certified		
Guarantee	5 years	5 years

General

Colour	Black	Silver
Article number	7210804	7210904
EAN single box	8712285320767	8712285319389



PUC 1080



POLES

PUC 2508

Pole

PUC 2515

Pole

PUC 2530

Pole



Specifications

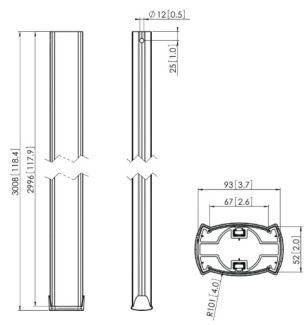
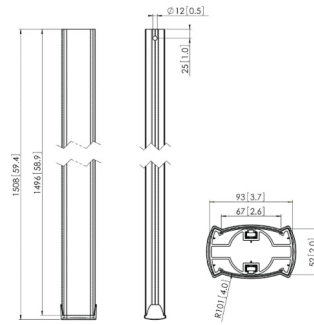
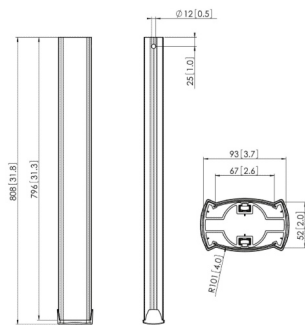
Max. weight load (kg)	80	80	80
Length (mm)	800	1500	3000

Guarantee

TÜV certified			
Guarantee	5 years	5 years	5 years

General

Colour	Silver Black	Silver Black	Silver Black
Article number	7225084 (Silver) 7225080 (Black)	7225154 (Silver) 7225150 (Black)	7225304 (Silver) 7225300 (Black)
EAN single box	8712285318702 (Silver) 8712285329340 (Black)	8712285318726 (Silver) 8712285329364 (Black)	8712285318740 (Silver) 8712285329388 (Black)



ACCESSORIES

PUA 9507
Accessory tray for PUC 24/25/27



PFA 9127
Accessory clamp for PUC 24/PUC 25/PUC 27



PFA 9103
Floor plate for PUC 25



Specifications

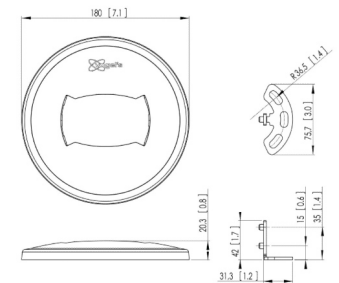
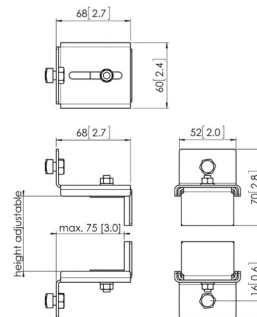
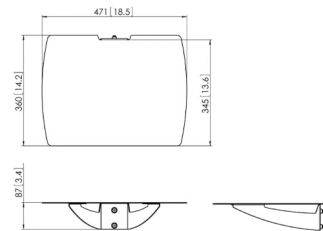
Max. weight load (kg)	10	10	
Colour	Silver Black	Black	Black

Guarantee

Guarantee	5 years	5 years	5 years
-----------	---------	---------	---------

General

Colour	Silver Black	Black	Black
Article number	7295094 (Silver) 7295095 (Black)	7091270	7291030
EAN single box	8712285321047 (Silver) 8712285325045 (Black)	8712285331985	8712285320729



PUA 9503

Pole coupler for PUC 25



80

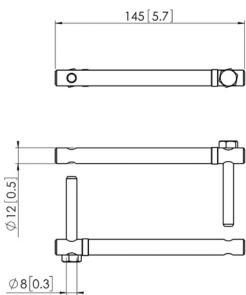
Silver

5 years

Silver

7295054

8712285319402



PUA 9504

Stabilisation kit for PUC 25



Silver

5 years

Silver

7295064

8712285319426

PFA 9107

Pole cover for PUC 25



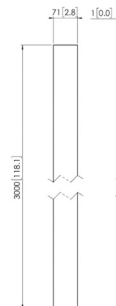
White

5 years

White

7291071

8712285320989



PFA 9108

Ceiling cover for PUC 25



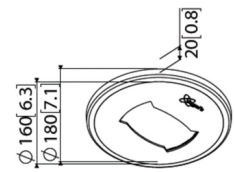
White

5 years

White

7291081

8712285321009



mm (inch)

ACCESSORIES

PFA 9115

Back cover landscape
42-47"

PFA 9116

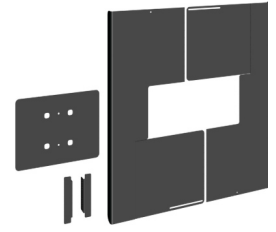
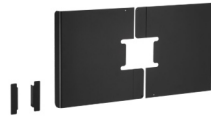
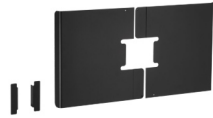
Back cover landscape
50-55"

PFA 9120

Back cover portrait 42-47"

PFA 9121

Back cover portrait 50-55"



Specifications

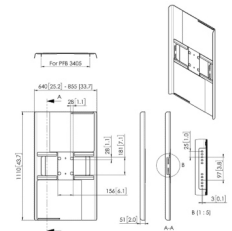
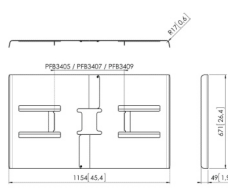
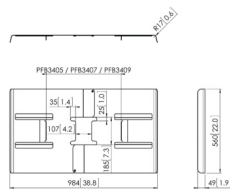
Min. screen size (inch)	42	50	42	50
Max. screen size (inch)	47	55	47	55
Colour	Black	Black	Black	Black

Guarantee

Guarantee	5 years	5 years	5 years	5 years
-----------	---------	---------	---------	---------

General

Colour	Black	Black	Black	Black
Article number	7291150	7291160	7291200	7291210
EAN single box	8712285324864	8712285324888	8712285327469	8712285327483



CEILING KITS - FIXED

C0844

Ceiling mount fixed ceiling

C1544

Ceiling mount fixed ceiling

C3044

Ceiling mount fixed ceiling



Specifications

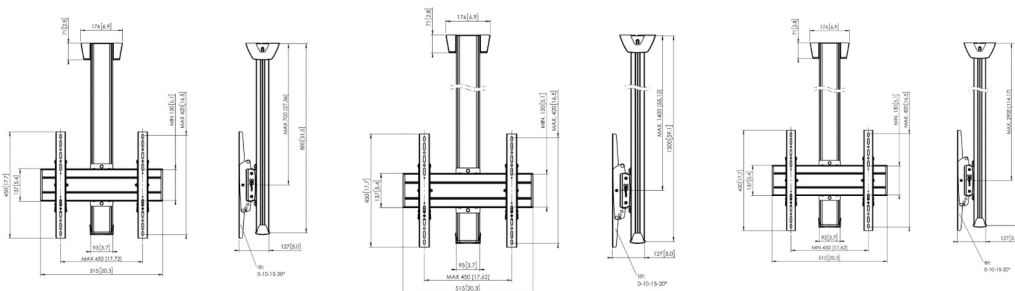
Max. weight load (kg)	80	80	80
Length (mm)	800	1500	3000
Max. screen size (inch)	65	65	65
Max. VESA hole pattern (mm)	450 x 420	450 x 420	450 x 420
Ceiling types	Flat ceiling	Flat ceiling	Flat ceiling

Guarantee

TÜV certified			
Guarantee	5 years	5 years	5 years

General

Colour	Silver Black	Silver Black	Silver Black
Article number	7950014 (Silver) 7950010 (Black)	7950024 (Silver) 7950020 (Black) 7990020 (Black)	7950034 (Silver) 7950030 (Black)
EAN single box	8712285332104 (Silver) 8712285332128 (Black)	8712285332142 (Silver) 8712285332166 (Black) 8712285346828 (Black)	8712285332180 (Silver) 8712285332203 (Black)



CEILING KITS - TURN

CT0844
Ceiling mount turn

CT1544
Ceiling mount turn

CT3044
Ceiling mount turn



Specifications

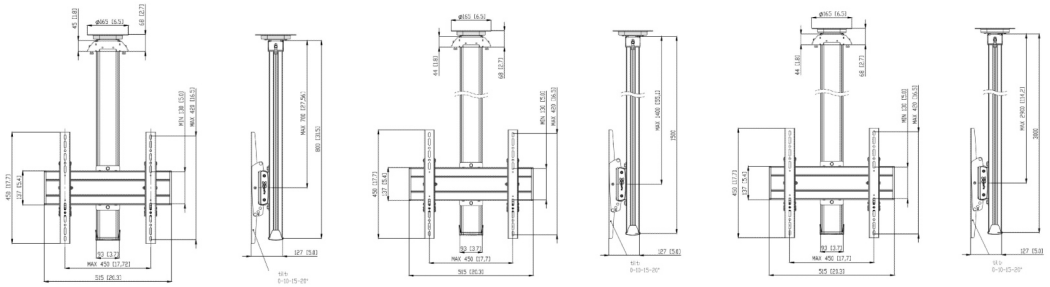
Max. weight load (kg)	80	80	80
Length (mm)	800	1500	3000
Max. screen size (inch)	65	65	65
Max. VESA hole pattern (mm)	450 x 420	450 x 420	450 x 420
Turn	Up to 360°	Up to 360°	Up to 360°
Ceiling types	Flat ceiling	Flat ceiling	Flat ceiling

Guarantee

TÜV certified			
Guarantee	5 years	5 years	5 years

General

Colour	Silver Black	Silver Black	Silver Black
Article number	7950084 (Silver) 7950080 (Black)	7950094 (Silver) 7950090 (Black)	7950104 (Silver) 7950100 (Black)
EAN single box	8712285332388 (Silver) 8712285332401 (Black)	8712285332425 (Silver) 8712285332449 (Black)	8712285332463 (Silver) 8712285332487 (Black)



CEILING KITS - DOUBLE POLE

CD1564

Ceiling mount double pole



CD3064

Ceiling mount double pole



Specifications

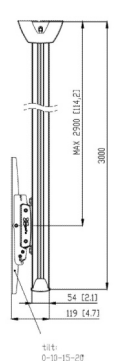
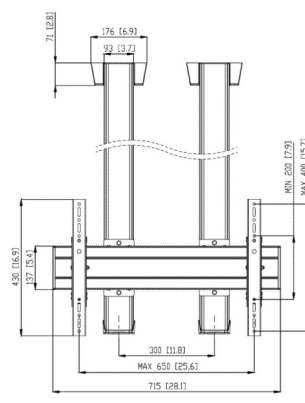
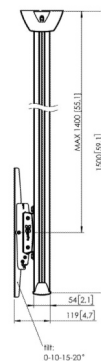
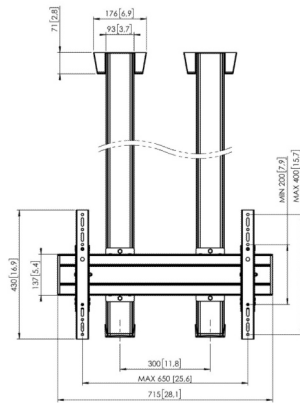
Max. weight load (kg)	160	160
Length (mm)	1500	3000
Min. screen size (inch)	65	65
Max. VESA hole pattern (mm)	650 x 400	650 x 400
Ceiling types	Flat ceiling	Flat ceiling

Guarantee

TÜV certified		
Guarantee	5 years	5 years

General

Colour	Silver Black	Silver Black
Article number	7950044 (Silver) 7950040 (Black)	7950064 (Silver) 7950060 (Black)
EAN single box	8712285332227 (Silver) 8712285332241 (Black)	8712285332302 (Silver) 8712285332326 (Black)



CEILING KITS - DOUBLE POLE

CD1584

Ceiling mount double pole



CD3084

Ceiling mount double pole



Specifications

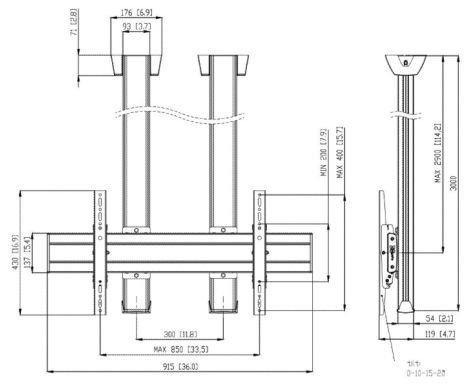
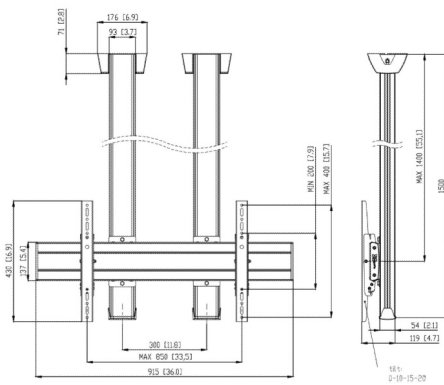
Max. weight load (kg)	160	120
Length (mm)	1500	3000
Min. screen size (inch)	65	65
Max. VESA hole pattern (mm)	850 x 400	850 x 400
Ceiling types	Flat ceiling	Flat ceiling

Guarantee

TÜV certified		
Guarantee	5 years	5 years

General

Colour	Silver Black	Silver Black
Article number	7950054 (Silver) 7950050 (Black)	7950074 (Silver) 7950070 (Black)
EAN single box	8712285332265 (Silver) 8712285332289 (Black)	8712285332340 (Silver) 8712285332364 (Black)





DRINKEN



Item	Small	Large
Softdrink	1,50	2,00
Water	0,50	0,50
Beer	2,00	2,50
Wine	3,00	3,50
Hot Chocolate	1,50	1,50
Ice Cream	1,50	1,50
Smoothie	2,50	3,00
Tea	1,50	1,50
Coffee	1,50	1,50
Milkshake	2,50	3,00
Hot Drink	1,50	1,50
Hot Chocolate	1,50	1,50
Hot Drink	1,50	1,50

SNOEP



Item	Price
Wafels	1,50
Chocolaat	1,50
Snoep	1,50
Wafels (pakket van 10)	12,00
Chocolaat (pakket van 10)	12,00
Snoep (pakket van 10)	12,00
Wafels (pakket van 20)	24,00
Chocolaat (pakket van 20)	24,00
Snoep (pakket van 20)	24,00



Height adjustable ceiling mounts

Complete kits

For small displays, there are two complete ceiling mount kits available, including a universal ceiling plate, height adjustable pole and a VESA 200x200 mm display interface with tilt function.

Key features

- Adjustable in height (telescopic pole)
- For flat and inclined ceilings
- CIS® cable management
- Post-installation levelling

CEILING MOUNTS

PFC 555

Display ceiling mount



PFC 585

Display ceiling mount



Specifications

Max. weight load (kg)	20	20
Min. screen size (inch)	19	19
Max. screen size (inch)	43	43
Ceiling types	Flat / inclined ceiling	Flat / inclined ceiling
Min. distance to ceiling (mm)	550	830
Max. distance to ceiling - center display (mm)	810	1380
Tilt	Tilt up to 20°	Tilt up to 20°
Hole pattern (VESA)	100 mm x 100 mm 200 mm x 100 mm 200 mm x 200 mm	100 mm x 100 mm 200 mm x 100 mm 200 mm x 200 mm

Guarantee

TÜV certified		
Guarantee	5 years	5 years

General

Colour	Silver	Silver
Article number	7305554	7305854
EAN single box	8712285330742	8712285330766

